

STAINLESS STEEL BSP SPECS



African
Hose
Solutions



069 962 1589



010 065 387 2 / 3 / 4



Admin@AfricanHoseSolutions.co.za



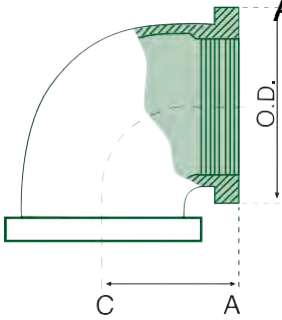
African Hose Solutions

BSP Fittings Stainless Steel

ASME B16.3

90 Elbows BSP

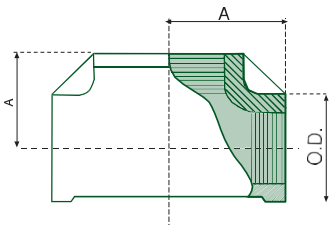
Screwed female parallel thread
ASA 150LB 68KG



Nominal Bore		Centre to End (A) mm	Outside Diameter (OD) mm
(mm)	(inches)		
-	1/8	18	14
-	1/4	19	17
10	3/8	23	21
15	1/2	27	26
20	3/4	31	32
25	1	37	40
32	1 1/4	44	49
40	1 1/2	47	55
50	2	56	68
65	2 1/2	68	85
80	3	77	99
100	4	99	125

Equal Tees

Screwed Female Parallel Thread
ASA 150 lb (68kg) rating
Available in grade 316/ 316L



Nominal Bore		Centre to End (A) mm	Outside Diameter (OD) mm
(mm)	(inches)		
-	1/8	14	13.5
-	1/4	18.5	17
10	3/8	20.8	21.4
15	1/2	25	25.5
20	3/4	27.5	31.3
25	1	33	38.7
32	1 1/4	40	48
40	1 1/2	43	53.7
50	2	52	66.7
65	2 1/2	61	84
80	3	70.5	98
100	4	89	124

Inch	Size	Inch
1/4	x	1/8
3/8	x	1/8
3/8	x	1/4
1/2	x	1/4
1/2	x	3/8
3/4	x	1/4
3/4	x	3/8
3/4	x	1/2
1	x	1/2
1	x	3/4
1 1/4	x	1
1 1/2	x	3/4
1 1/2	x	1 1/4
2	x	1
2	x	1 1/4
2	x	1 1/2

Reducing Sockets

Available in grade 316/ 316L

ASME 150lb (68kg) rating



* above sizes are an indication and can vary from supplier to supplier.



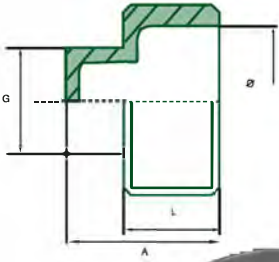
African Hose Solutions

Hex and Square Head Plug BSP

Screwed Male Taper Thread

ASA 150 lb (68kg) rating

Available in type AISI 316/ 316L



Square Plug



Nominal Bore		Outside Diameter (OD)	A	L	G
(mm)	(inches)				
-	1/8		15.5	8.2	
-	1/4		19	10	9
10	3/8	12.5	15	9	8
15	1/2	16	18.5	11.3	10
20	3/4	21	21	13	14
25	1	26.8	24	15	17
32	1 1/4	35.3	28	18	20
40	1 1/2	41.1	28	18	23
50	2	52.5	31	22	28
65	2 1/2	67.5	38.5	23.5	36
80	3	79.5	41.5	26.5	40
100	4	103.5	51.5	32.5	52

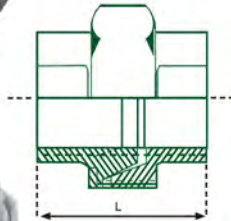
Unions

Female Thread with Conical Seat

BSP Screwed Parallel

ASA 150lb (68kg) rating

Available in grade 316/ 316L

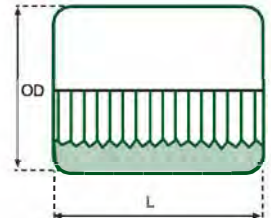


Sockets BSP

Screwed Female Parallel Thread

ASDA 150lb (68kg) rating

Available in grade 316/ 316L



Nominal Bore		Length (L) (mm)	Width Across Flats (mm)
(mm)	(inches)		
3	1/8	25	23.2
6	1/4	34	29
10	3/8	35	34
15	1/2	38	37.5
20	3/4	40	44.5
25	1	50	53.5
32	1 1/4	51	64
40	1 1/2	57	71.5
50	2	63	85.5
65	2 1/2	67	101
80	3	71	117
100	4	77	147

Nominal Bore		Length (L) (mm)	(OD)
(mm)	(inches)		
3	1/8	17	13
6	1/4	24	16.5
10	3/8	25	20
15	1/2	27	24
20	3/4	31	30
25	1	34	37
32	1 1/4	38	45.5
40	1 1/2	38	52
50	2	46	64
65	2 1/2	58	81.5
80	3	61	93.5
100	4	71	120

* above sizes are an indication and may vary from supplier to supplier.



African Hose Solutions

BSP Fittings Stainless Steel

ASME B16.3

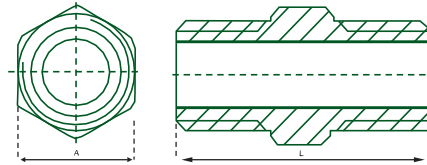
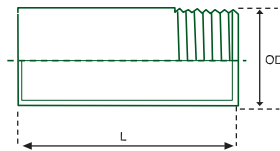
Toe Nipples (Thread One End)

Screwed Male Thread

ASDA 150lb (68kg) rating

Available in grade 316/ 316L

HEX NIPPLES



Nominal Bore		
(mm)	(inches)	(OD)
3	1/8	10.2
6	1/4	13.5
10	3/8	17.2
15	1/2	21.3
20	3/4	26.9
25	1	33.7
32	1 1/4	42.4
40	1 1/2	48.3
50	2	60.3
65	2 1/2	76.1
80	3	88.9
100	4	114.3

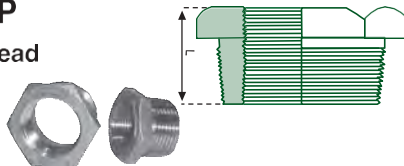
Nominal Bore			
(mm)	(inches)	(A)	(A)
3	1/8	20	12
6	1/4	25	15
10	3/8	27	19
15	1/2	34	23
20	3/4	36.5	29
25	1	42	36
32	1 1/4	47.5	45
40	1 1/2	47.5	51
50	2	57	63
65	2 1/2	62	80
80	3	67.5	95
100	4	80	120

Reducing Bushes BSP

Screwed Female Parallel Thread

ASA 150lb (68kg) rating

Available in grade 316/ 316L



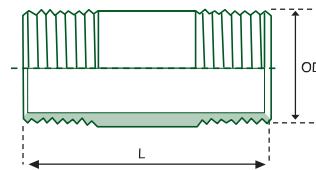
Size (inches)	Length (L) (mm)	Width Across Flats (mm)
1/4 x 1/8	14.5	14.5
3/8 x 1/8	16	18
3/8 x 1/4	16	18
1/2 x 1/8	19.5	21.4
1/2 x 1/4	19.5	21.4
1/2 x 3/8	19.5	21.4
3/4 x 1/4	21	27
3/4 x 3/8	21	27
3/4 x 1/2	21	27
1 x 1/2	24	33.9
1 x 3/4	24	33.9
1 1/4 x 1	27	42.7
1 1/2 x 3/4	27	48.6
1 1/2 x 1	27	48.6
1 1/2 x 1 1/4	27	48.6
2 x 1	31	60.5
2 x 1 1/4	31	60.5
2 x 1 1/2	31	60.5
3 x 2	37.5	91

Barrel Nipples

Screwed Male Thread

ASA 150lb (68kg) rating

Available in grade 316/ 316L



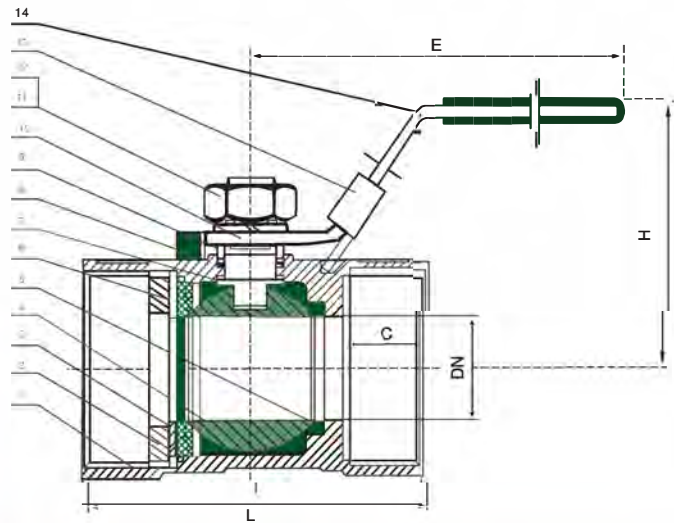
Nominal Bore			
(mm)	(inches)	Length (L) (mm)	(OD)
3	1/8	40	10.2
6	1/4	40	13.5
10	3/8	40	17.2
15	1/2	60	21.3
20	3/4	60	26.9
25	1	60	33.7
32	1 1/4	80	42.4
40	1 1/2	80	48.3
50	2	100	60.3
65	2 1/2	100	76.1
80	3	120	88.9
100	4	120	114.3

* above sizes are an indication and may vary from supplier to supplier.



African Hose Solutions

Size (inches)	Ød	L	E	H	C
1/4	5	40	76	31	10
3/8	7	45	82	36	10.5
1/2	9	57	95	43	13.5
3/4	12.5	60	100	50	14
1	16	72	111	54	16.5
1 1/4	20	78	111	59	19
1 1/2	25	83	139	65	19
2	32	99	152	70	21.5
2 1/2	38	128	200	84	31.5
3	50	150	220	108	32
4	65	192	300	117.5	44



Main Technical Parameter	
Normal Pressure	1000 PSI
Test	Shell Test Pressure (10.5)
	Tightness Test 7.7 MPa
Pressure	Gas-Tightness Test 0.6
	Max Working Temperature 20-150 °C
Applicable Medium Water Gas, Oil, Acid	

1 Piece Ball Valve BSP Stainless Steel 316L ANSI B16.34

No	Parts Name	Material	No	Parts Name	Material
1	Body	ASTM A351 CF8M	8	Gasket/ Packing	PTFE
2	Gland	ASTM A276 304	9	Packing Gland	ASTM A276 304
3	Washer	ASTM A276 304	10	Handle	ASTM A276 201
4	Ball	ASTM A276 316	11	Stem nut	ASTM A276 304
5	Seat	PTFE	12	Washer	ASTM A276 304
6	Seat	PTFE	13	Handle Locking	ASTM A276 201
7	Stem	ASTM A276 304	14	Handle Sleeve	PVC

* above sizes are an indication and may vary from supplier to supplier.



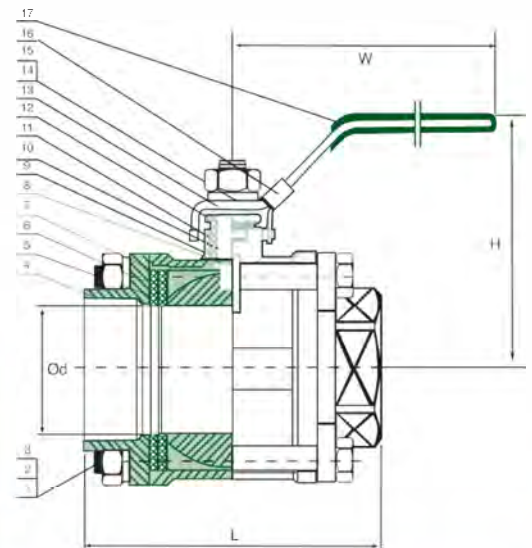
African Hose Solutions



3 Piece Ball Valves BSP Stainless Steel 316 Design and manufacture to ANSI B16.34

Size (inches)	Ød		W	
1/4	10.5	55	42	102
3/8	10.5	55	42	102
1/2	15	65	58	101
3/4	20	46.5	63	101
1	24	86	76	137
1 1/4	32	98	80	150
1 1/2	38	114	93	175
2	48	132	110	175
2 1/2	64	164	127	215
3	78	182	151	236
4	98	235	167	313

Main Technical Parameter		
Normal Pressure	1000	PSI
Test Pressure	Shell Test Pressure	10.5 MPa
	Tightness Test	7.7 MPa
	Gas-Tightness Test	0.6 MPa
Max Working Temperature	-20~150	°C
Applicable Medium: Water, Gas, Oil, Acid		



No	Parts Name	Material	No	Parts Name	Material
1	Bolt	ASTM A276 304	10	Stem	ASTM A276 304
2	Spring Washer	ASTM A276 304	11	Stem Gasket	PTFE
3	Nut	ASTM A276 304	12	Packing Gland	ASTM A276 304
4	End Cap	ASTM A3510CF8M	13	Handle	ASTM A276 201
5	Seat	PTFE	14	Handle Washer	ASTM A276 304
6	Ball	ASTM A276 316	15	Handle Nut	ASTM A276 201
7	Gasket	PTFE	16	Handle Lock	ASTM A276 304
8	Thrust Washer	PTFE	17	Handle Cover	PVC
9	Body	ASTM A351 CF8M	18		

* above sizes are an indication and may vary from supplier to supplier.